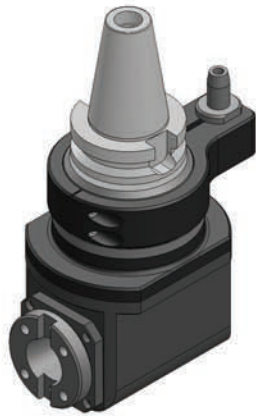
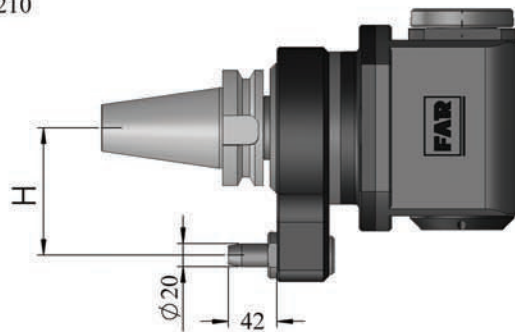
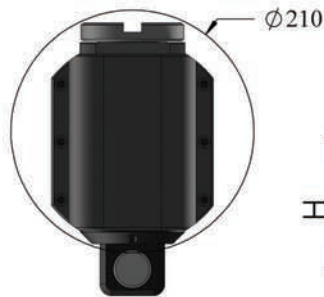
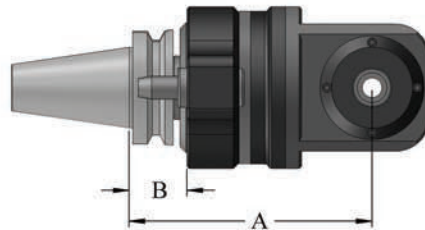


MH-FXA-ISO40



| SPECIFICATION | |
|---------------|------------|
| TORQUE | 120 Nm |
| SPEED | 2000 RPM |
| GEAR RATIO | 1:1 |
| OUTPUT | ISO40/BT40 |
| TOOL SIZE | ∅26mm |
| MAX. TAP SIZE | M20 |



Ordering code example: MH-FXA-ISO40-BT50-A-B-H

| SPECIFICATION | BT | HSK | |
|---------------|--------|------|--------|
| ADAPTER SIZE | 50 | 80 | 100 |
| H | 110 | 110 | 110 |
| A | 210 | 211 | 214 |
| B | 50 | 51 | 54 |
| WEIGHT | 26.6Kg | 26Kg | 26.6Kg |

MH-FXA-ISO40