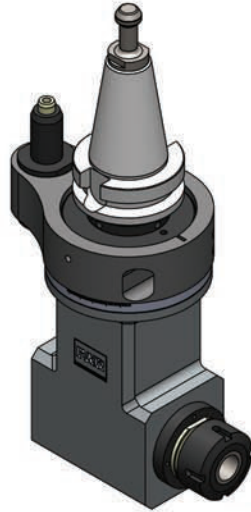
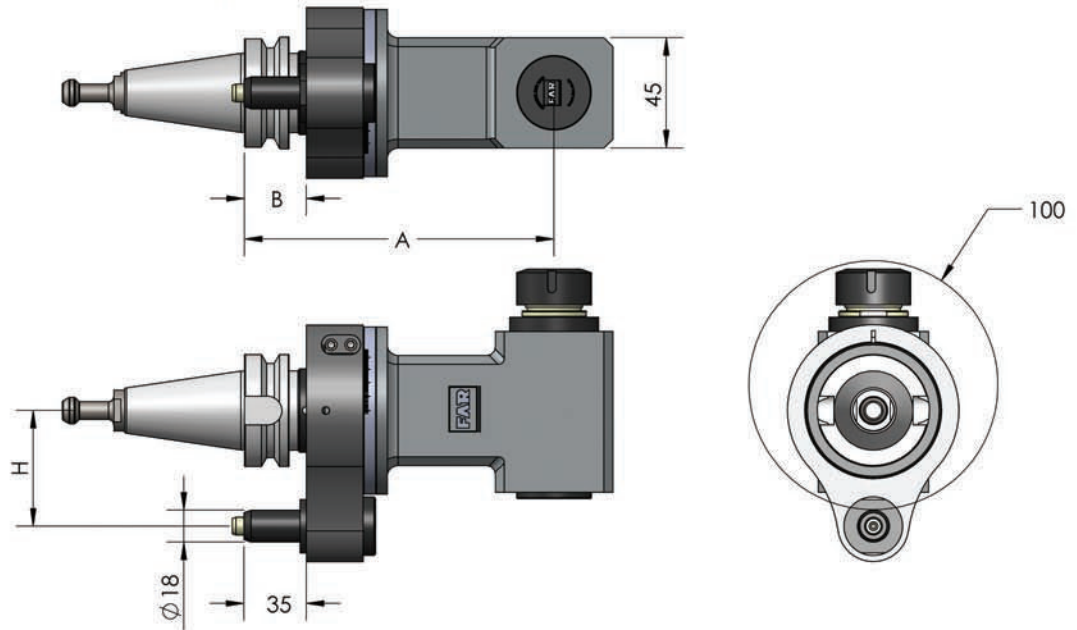


MH-FXA-ER16



SPECIFICATION	
TORQUE	10 Nm
SPEED	6000 RPM
GEAR RATIO	1:1
OUTPUT	ER16
TOOL SIZE	∅ 1-10 mm
MAX. TAP SIZE	M8



SPECIFICATION	BT		HSK
ADAPTER SIZE	30	40	63
H	65	65	65
A	165	170	180
B	35	35	42
WEIGHT	2.8Kg	3.2Kg	3.5Kg

Ordering code example:
MH - FXA- ER16 -HSK63-A-B-H
 OUTPUT SPINDLE
 ADAPTER SIZE

MH-FXA-ER16