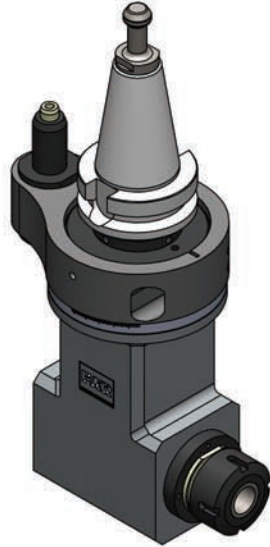
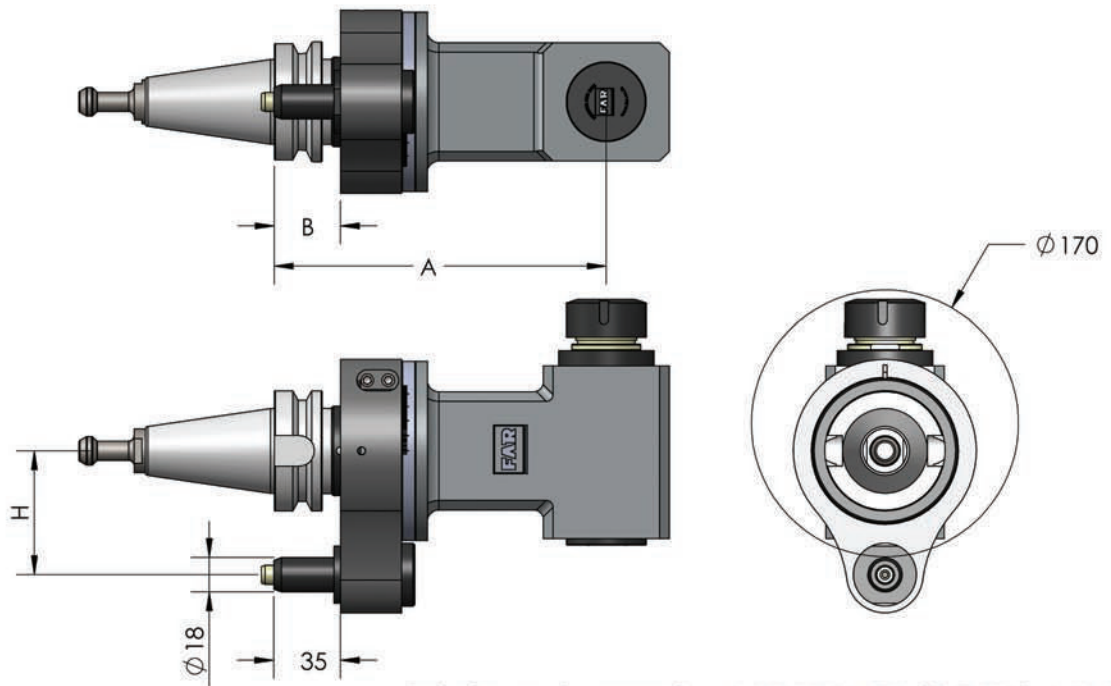


MH-FXA-ER32



SPECIFICATION	
TORQUE	40 Nm
SPEED	4000 RPM
GEAR RATIO	1:1
OUTPUT	ER32
TOOL SIZE	∅ 2-20 mm
MAX. TAP SIZE	M16



Ordering code example : MH-FXA-ER32-BT50-A-B-H

SPECIFICATION	BT	HSK		
		63	80	100
ADAPTER SIZE	50	63	80	100
H	80	65/80	80	80
A	166	167	170	170
B	41	42	45	45
WEIGHT	12.8Kg	11Kg	12Kg	12.8Kg

MH-FXA-ER32